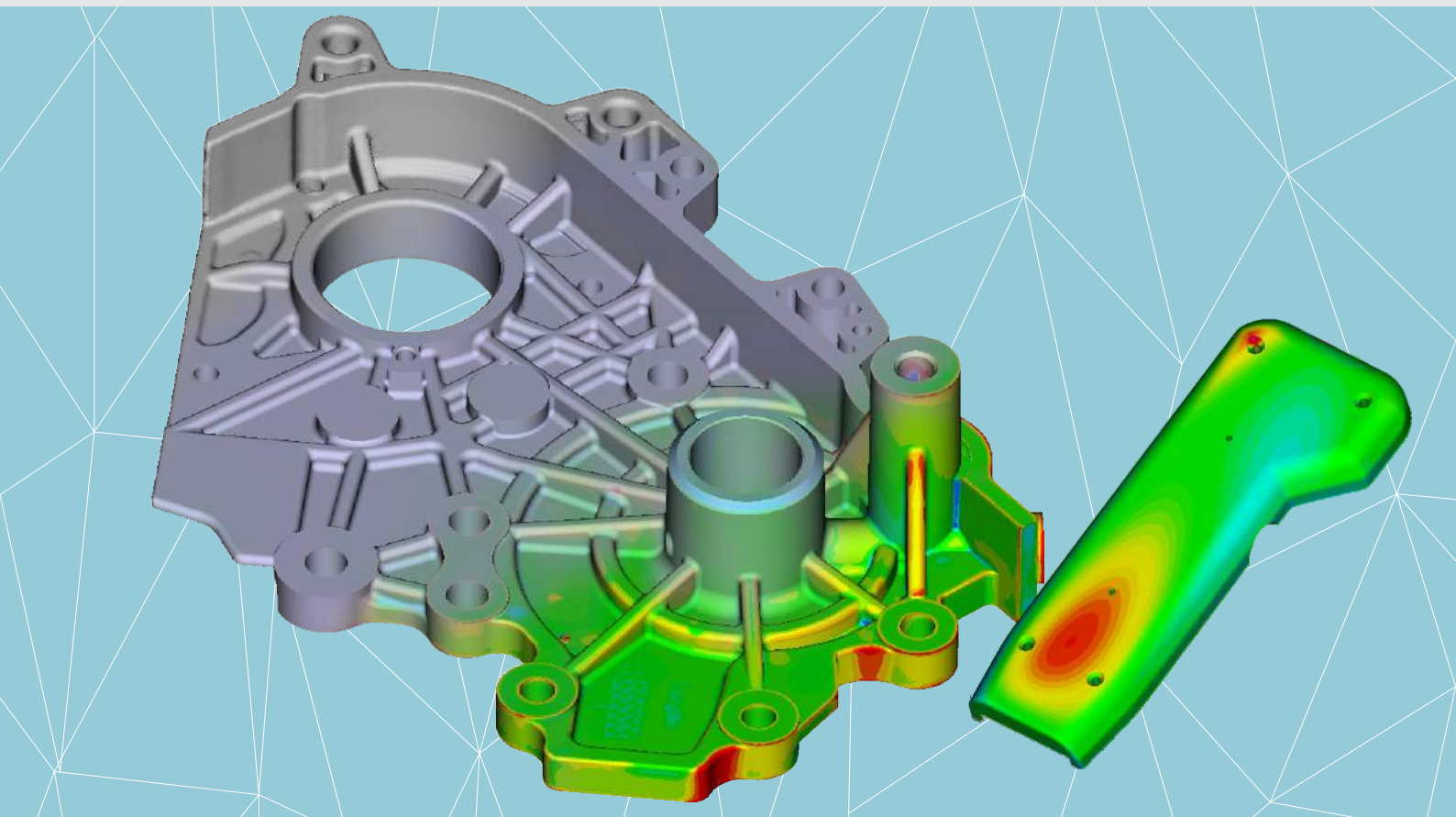


The Powerful Inspection Solution



PointShape™ Inspector



CAD based Scan Data
Industrial 3D metrology software

With innovative advances in 3D scanning technology, engineers are now able to leverage 3D pointcloud data that exceeds traditional measurement methods. (e.g. CMM,, etc.)

Leveraging these pointcloud data is more intuitive to engineers allowing to move beyond the limits of existing inspections.

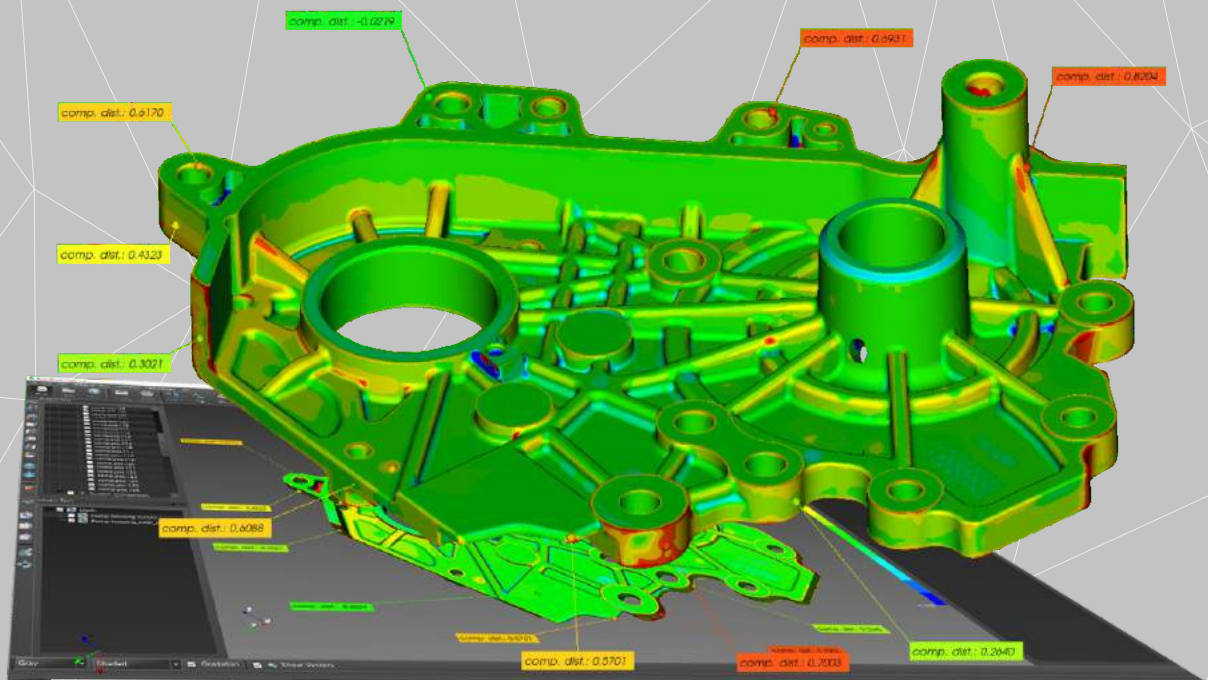
PointShape Inspector is one of the most powerful inspecting software for engineers to innovatively control 3D CAD data that they designed. PointShape Inspector allows to import all major CAD programs raw data such as Siemens NX, CATIA V5, Pro/ENGINEER and it certainly reduces man-day and cost by simple workflow, user friendly interface, and precise calculation.

The PointShape Inspector functions of Whole Deviation, Section Deviation, Point Deviation, Measurement, GD&T Information, and Report have been developed for any CAD engineers to easily approach and instantly use.

- Precise Quality Management Process
- CAD program Compatibility (Siemens NX, CATIA V5, Pro/ENGINEER)
- Export Quality Management Report

Key Features

- Alignment : Initial, Manual, Best Fit, Automatic, RPS, Datum,
- Mesh Creation : 2.5D Triangulation, Mesh Export
- 3D & 2D Comparison : Whole, Section , Point
- Native CAD Format Support : Siemens NX, Catia V5, Pro Engineer, Solid Works, Solid Edge, 3D Studio 3ds, Autodesk DXF, Parasolid, IGES, STEP..... etc.
- CAD to Mesh : Mesh Tessellation, Mesh Optimization, Mesh Fix's
- Measurement : Distance, Angle, Radius, Calculate Area, Calculate Volume
- Reference Geometry : Point, Line, Circle, Plane, Cylinder, Sphere, Cone
- Report : PDF Creation



Workflow

Native CAD Data

- CATIA
- SOLIDWORKS®
- Siemens NX®
- Solid Edge
- Inventor®
- PTC Creo®

Raw Scan Data

- STL, PLY, OBJ, PTS,
- LAS, LAZ, DXF, ASC,
- TXT, E57, XYZ, PCD,
- CSV, NEU
- ETC...
-

The fixed-CAD

- Initial
- Manual
- Best-fit
- Automatic
- RPS, Datum, 3-2-1
- Etc...

Scan Data Optimization

- Merge
- Decimation
- Fill hole
- Smoothing
- Mesh cleaning
- Etc...

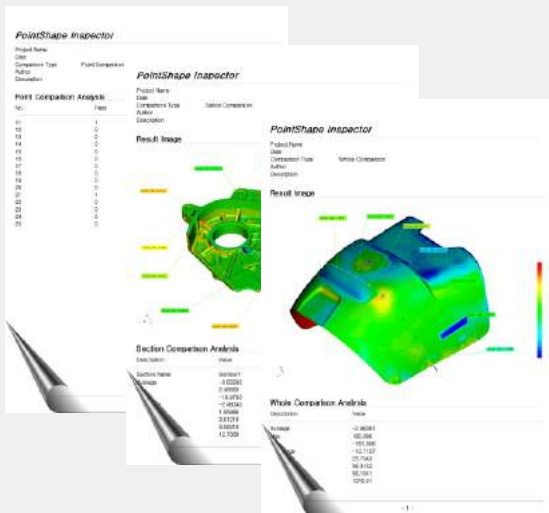
Created Geometry

Alignment

3D Comparison
(Whole, Section, Point)

Measurement, GD&T

Report(Export PDF)

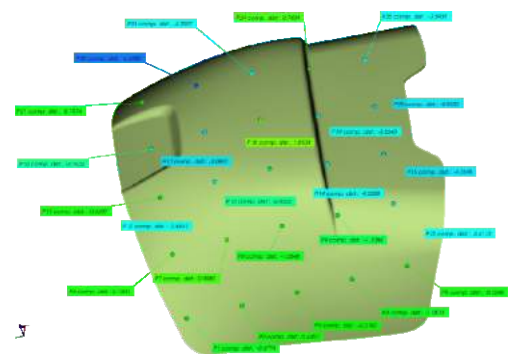
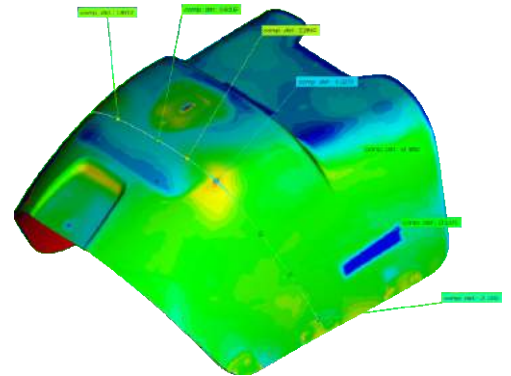
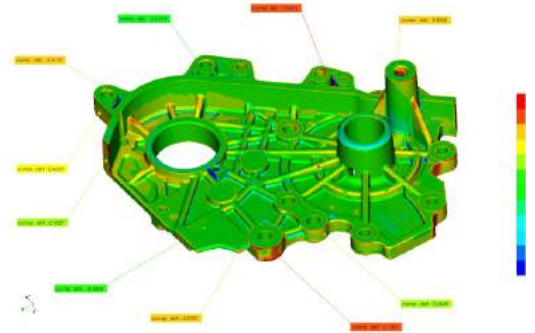


Various CAD Data format import

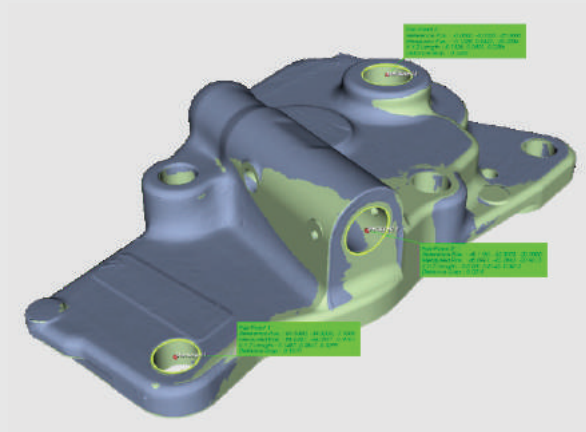
All formats from Siemens NX, Catia, Pro E(Creo), SolidWorks, SolidEdge, IGES, STEP, etc. can be directly imported to PointShape™ Inspector



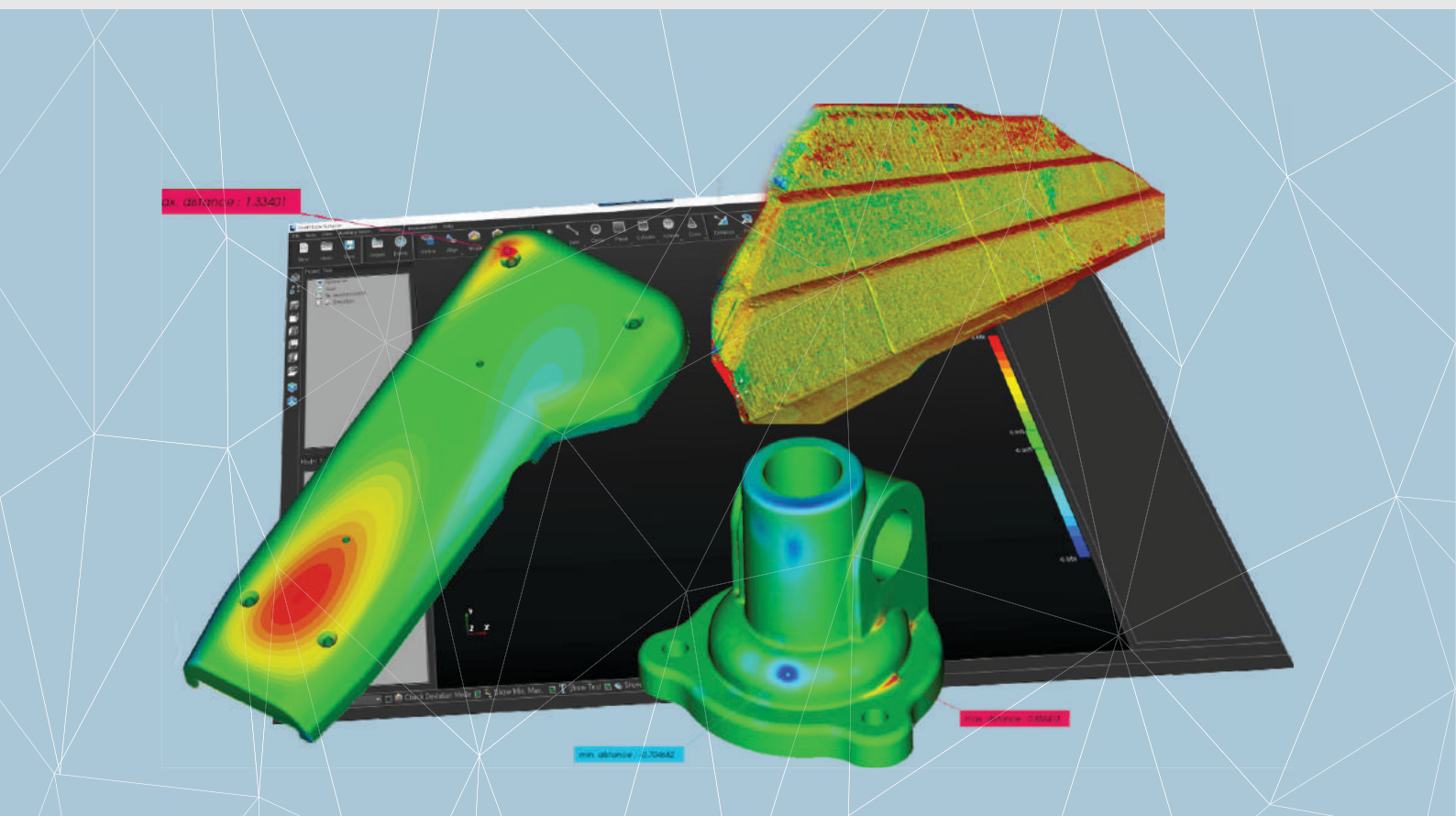
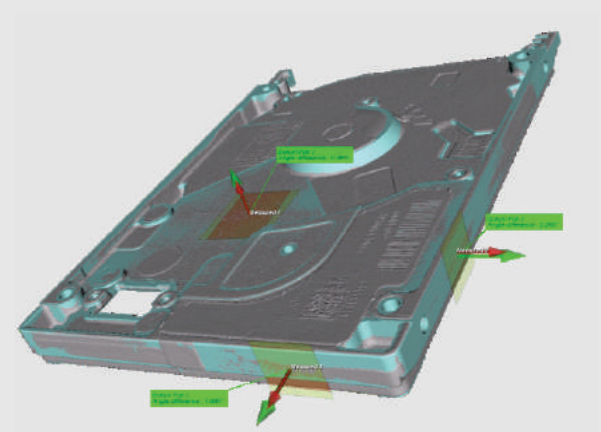
3D Comparison(Whole,Section,point)



■ RPS Alignment



■ Datum Alignment



The Powerful Inspection Solution

CAD based Scan Data
Industrial 3D metrology software



GoMeasure3D is an authorized distributor of PointShape Inspector software.